



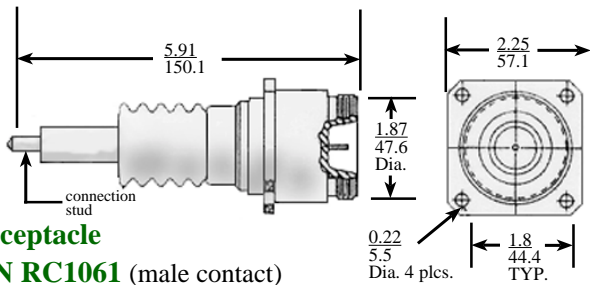
**R75**  
Series

**40 to 75 KVDC**

Ground Level  
Military/Industrial Applications  
**Operating Temperature:**  
-40°C to +85°C

**R75 Series**

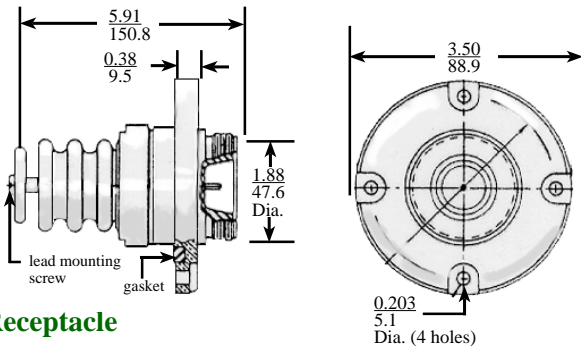
**Receptacles for DC and Pulse Applications • Rated to 75 KVDC**



**Receptacle**

**P/N RC1061** (male contact)

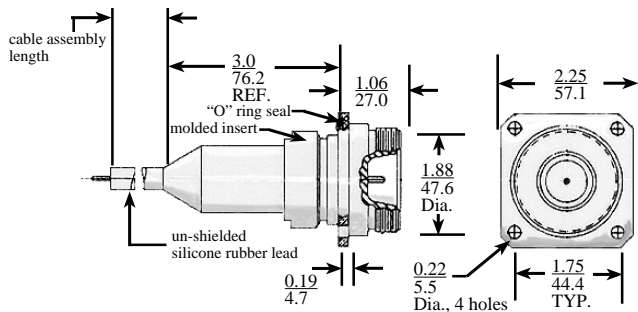
Mounting: Front flange  
Terminal type: Connection stud  
Seals: None  
Voltage rating: 50 KVDC



**Receptacle**

**P/N RC1062** (male contact)

Mounting: Front flange  
Terminal type: Lead mounting screw  
Seals: Gasket bulkhead seal  
Voltage Rating: 75 KVDC



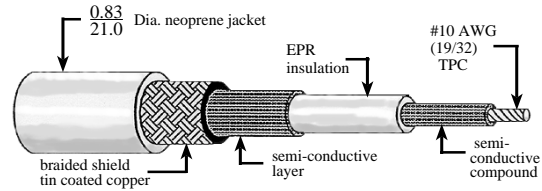
**Receptacle Cable Assembly**

**P/N 4RC1063** (male contact)

Mounting: Front flange  
Terminal type: Cabled with silicone rubber cable. Specify length when ordering.  
Seals: "O" ring bulkhead seal  
Voltage rating: 50 KVDC

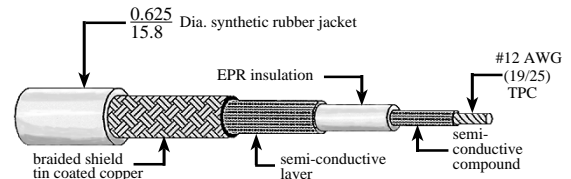
**R75 Series**

**Specifications for Coaxial and Armored Cable • Rated to 75 KVDC**



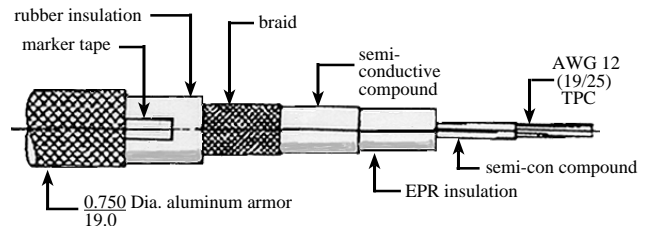
**P/N R1046-1** Corona Resistant Coaxial Cable

Voltage rating: 75 KVDC  
Nom. Capacitance: 46 pf/ft./150 pf/m  
Nom. Impedance: 50 Ohms @ 1 MHz  
Operating temperature: -40°C to 85°C



**P/N R1006-1** Corona Resistant Coaxial Cable

Voltage rating: 50 KVDC  
Nom. Capacitance: 50 pf/ft./164 pf/m  
Nom. Impedance: 48 Ohms @ 1 MHz  
Operating temperature: -40°C to 85°C



**P/N R1059-1** Armored Pulse Cable

Voltage rating: 40 KVDC  
Nom. Capacitance: 50 pf/ft./164 pf/m  
Nom. Impedance: 48 Ohms @ 1 MHz  
Operating temperature: -40°C to 85°C