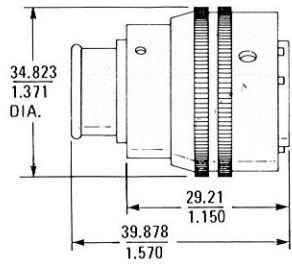
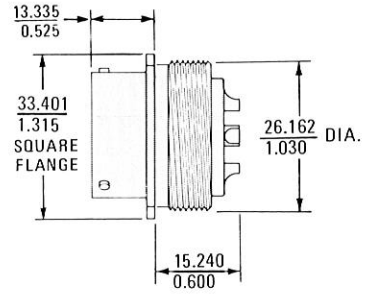


BAYONET COUPLING

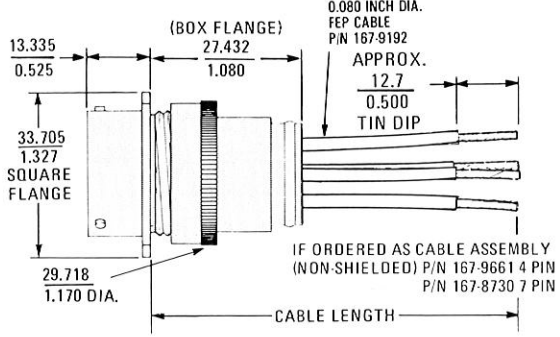
PLUG (WT. 46 GMS.)
Patent Pending



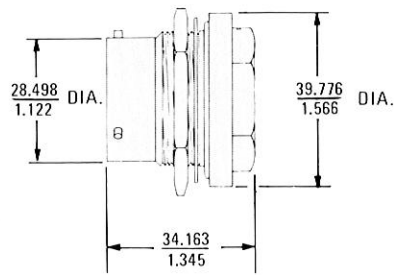
***PANEL CONNECTOR (WT. 26 GMS.)**
(BOX FLANGE)



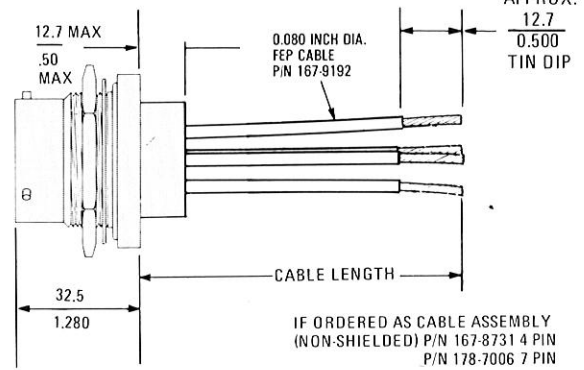
***PANEL CONNECTOR (WT. 29 GMS.)**
(NO POTTING REQ'D.) (BOX FLANGE)



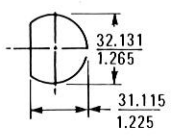
***PANEL CONNECTOR (WT. 27 GMS.)**
(JAM NUT)



***PANEL CONNECTOR (WT. 30 GMS.)**
(POTTING REQ'D.) (JAM NUT)

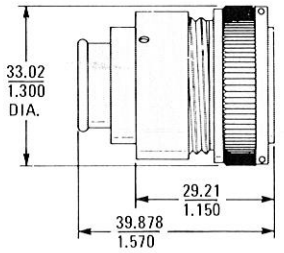


MOUNTING HOLE (JAM NUT)

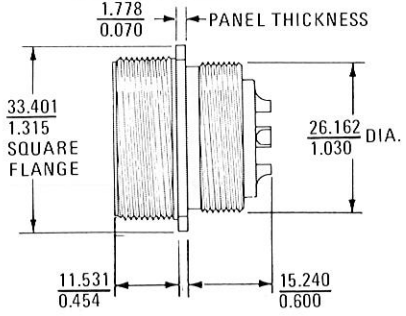


THREADED COUPLING

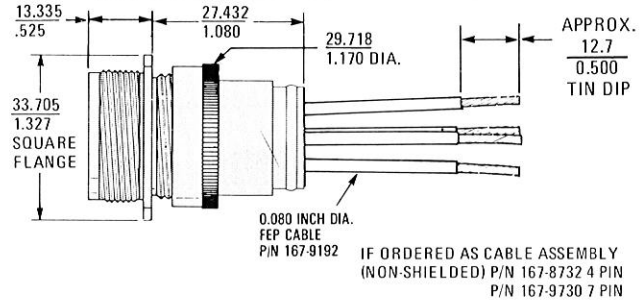
PLUG (WT. 42 GMS.)
Patent Pending



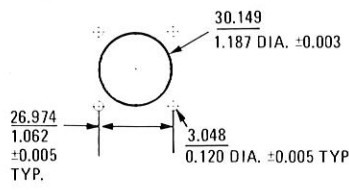
***PANEL CONNECTOR (WT. 37 GMS.)**
(BOX FLANGE)



***PANEL CONNECTOR (WT. 40 GMS.)**
(NO POTTING REQ'D.) (BOX FLANGE)



MOUNTING HOLE (BOX FLANGE)



SERIES 1804

	4 PIN	PLUG	PANEL CONN.	PANEL CONN. (NO POTTING REQ'D.)
BAYONET SHIELDED (SHOWN)		P/N 167-9704	P/N 167-9707	P/N 167-9600
BAYONET NON-SHIELDED		P/N 167-9601	P/N 167-9707	P/N 167-9600
THREADED SHIELDED (SHOWN)		P/N 167-9702	P/N 167-9706	P/N 167-9705
THREADED NON-SHIELDED		P/N 167-9703	P/N 167-9706	P/N 167-9705
BAYONET JAM NUT			P/N 167-8819	P/N 167-8723 (POTTED)

SERIES 1807

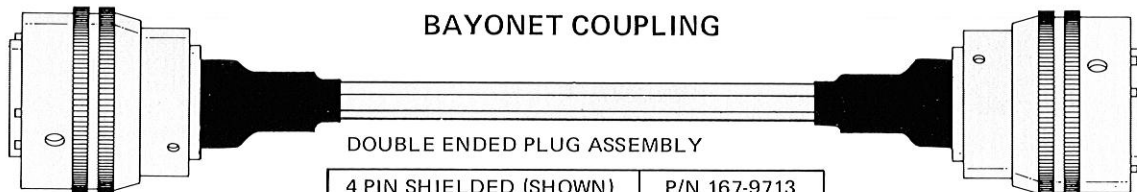
	7 PIN	PLUG	PANEL CONN.	PANEL CONN. (NO POTTING REQ'D.)
BAYONET SHIELDED (SHOWN)		P/N 167-9708	P/N 167-9712	P/N 167-9710
BAYONET NON-SHIELDED		P/N 167-9709	P/N 167-9712	P/N 167-9710
THREADED SHIELDED (SHOWN)		P/N 167-9691	P/N 167-9711	P/N 167-9692
THREADED NON-SHIELDED		P/N 167-9693	P/N 167-9711	P/N 167-9692
BAYONET JAM NUT			P/N 167-8666	P/N 167-8667 (POTTED)

1804/1807 SERIES (CON'T.)

BODY AND COUPLING NUT Aluminum alloy per QQ-A-225, electroless nickel plated per MIL-C-26047.
CONTACT, MALE .060 Dia. Brass per QQ-B-626, gold plated per MIL-G-45204.
CONTACT, FEMALE Beryllium copper per QQ-C-530, gold plated per MIL-G-45204.
INSULATORS Plug, silicone rubber per ZZ-R-765, class Panel connector, Diallyl Phthalate.

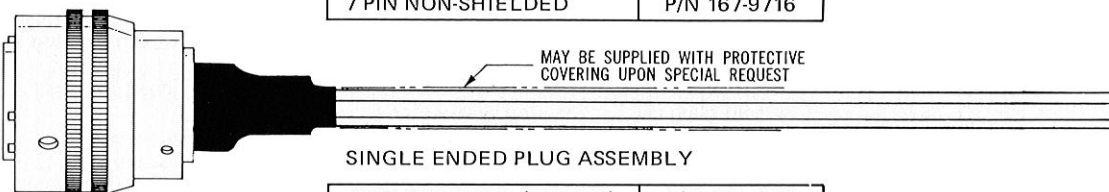
PRESSURE Panel connector will pass helium leak test at one atmosphere differential pressure, leakage not to exceed 1×10^6 cc/Sec. He. (Jam nut version only)
TEST VOLTAGE 22.5 KVDC between pins and between pin and body (mated condition) at 70,000 ft. simulated altitude.
OPERATING VOLTAGE 15 KVDC (mated) at any altitude.
MAX OPERATING CURRENT (RMS) 7.5 amps.
INSULATION RESISTANCE 5×10^3 megohms minimum.

RF CABLE ASSEMBLIES SERIES 1804/1807



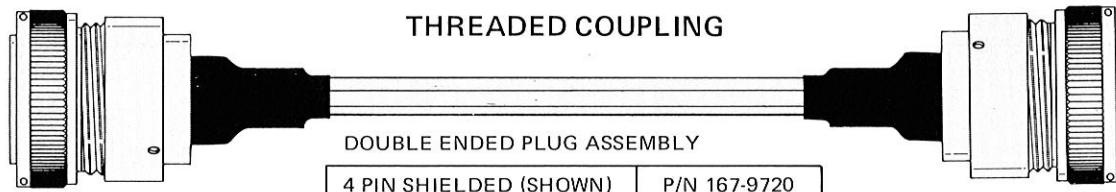
DOUBLE ENDED PLUG ASSEMBLY

4 PIN SHIELDED (SHOWN)	P/N 167-9713
4 PIN NON-SHIELDED	P/N 167-9714
7 PIN SHIELDED (SHOWN)	P/N 167-9715
7 PIN NON-SHIELDED	P/N 167-9716



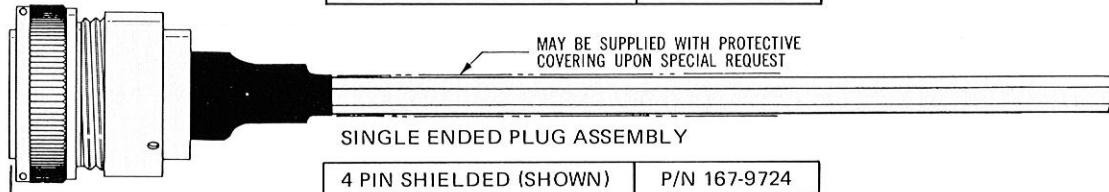
SINGLE ENDED PLUG ASSEMBLY

4 PIN SHIELDED (SHOWN)	P/N 167-9717
4 PIN NON-SHIELDED	P/N 167-9658
7 PIN SHIELDED (SHOWN)	P/N 167-9718
7 PIN NON-SHIELDED	P/N 167-9719



DOUBLE ENDED PLUG ASSEMBLY

4 PIN SHIELDED (SHOWN)	P/N 167-9720
4 PIN NON-SHIELDED	P/N 167-9721
7 PIN SHIELDED (SHOWN)	P/N 167-9722
7 PIN NON-SHIELDED	P/N 167-9723



SINGLE ENDED PLUG ASSEMBLY

4 PIN SHIELDED (SHOWN)	P/N 167-9724
4 PIN NON-SHIELDED	P/N 167-9725
7 PIN SHIELDED (SHOWN)	P/N 167-9726
7 PIN NON-SHIELDED	P/N 167-9727

← CABLE ASSEMBLY LENGTH →

CABLE TYPE Individual shield .080 Dia. "L" cable P/N 167-9346. (Non-shielded) .080 Dia. FEP core each, P/N 167-9192.
100% PRODUCTION TEST 22.5 KVDC between pins and between pin and body (mated) at 70,000 ft. simulated altitude.

CABLE ASSEMBLY ORDERING INFORMATION

EXAMPLE: 167-9724-10F-8N
 Cable Assembly Length: 10 feet, 8 inches
EXAMPLE: 167-9724-18N
 Cable Assembly Length: 18 inches

OPERATING VOLTAGE 15 KVDC at any altitude (mated).
MAX OPERATING CURRENT (RMS) 7.5 amps.

SPECIAL ORDERS AND CUSTOM DESIGNED CONNECTORS

We welcome the opportunity to modify our connectors to fit your specific application. We also solicit the opportunity to submit design proposals based on your performance requirements and engineering specifications.