

2

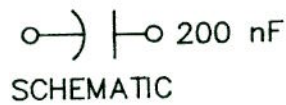
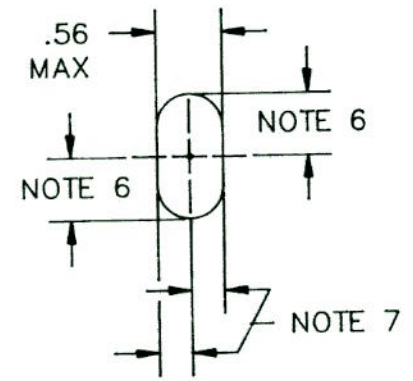
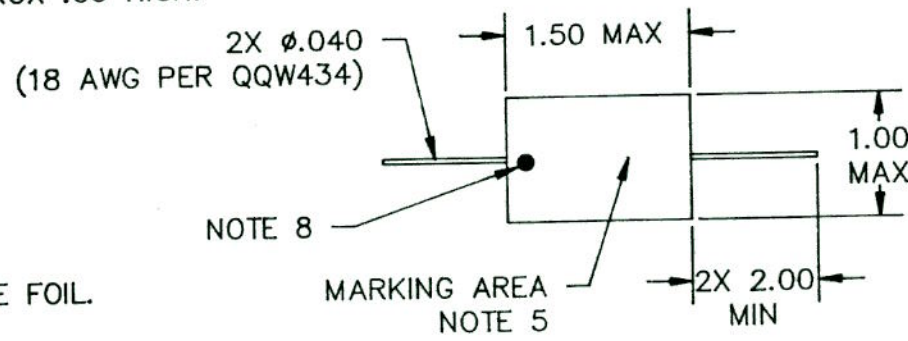
NOTES:

- DISSIPATION FACTOR: .005 MAX @ 25° C, 1 KHZ.
- CAPACITANCE: 180 nF-220 nF.
- DIELECTRIC WITHSTANDING VOLTAGE:
2.5 kV RATED, 3.75 kV PROCESS FOR 2 HOURS @ 100° C AND 5 kV PROOF FOR 5 SECS.
- GLASS TAPE OVERWRAP.
- INK STAMP THE FOLLOWING WITH BLACK EPOXY INK. CHARACTERS APPROX .06 HIGH:
G204A252A000
RI 7W970
200NF ±10% 2500WVDC
DATE CODE
- EQUALLY DISTANT WITHIN .25, BOTH ENDS.
- EQUALLY DISTANT WITHIN .21, BOTH ENDS.
- BLACK DOT INDICATES OUTSIDE FOIL.

REVISIONS			DATE	APPRVD
LETTER	NO	DESCRIPTION		
B		REVISED PER ECO 671 ER 587	8/20/94	QAC

RECEIVED
FEB 11 1994

DOCUMENTS CONTROL



THIS IS A COMPUTER GENERATED DRAWING.
ALL CHANGES ARE MADE BY COMPUTER ONLY.

		UNLESS OTHERWISE SPECIFIED DIMENSIONS ARE IN INCHES	DRAWN D CADENA JR 10-27/92	REYNOLDS INDUSTRIES, INC. 3070 SKYWAY DR BLDG 301 SANTA MARIA, CA 93455	
		TOLERANCES FRACTIONS ± ANGLES ± DECIMALS .XX± DECIMALS .XXX± .005	CHECK N ROCK 11/2/92	CAPACITOR, FIXED 200 nF ±10% 2500 WVDC	
		MATERIAL	APPR D GRAVES 11/9/92	SIZE B	CODE IDENT 7W970
		FINISH	APPR	DRAWING NO G204A252A000	REV B
NEXT ASSEMBLY	USED ON		THIS DOCUMENT, THE DRAWINGS AND TECHNICAL DATA CONTAINED HEREON ARE THE PROPERTY OF REYNOLDS INDUSTRIES INC. REPRODUCTION OR DISSEMINATION IN ANY FORM, EXCEPT AS EXPRESSLY AUTHORIZED BY THE OWNER, IS FORBIDDEN. THE HOLDER AGREES TO RETURN THIS DOCUMENT TO THE OWNER ON DEMAND.		
APPLICATION			SCALE: 1 = 1		