

5

RECEIVED

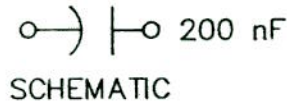
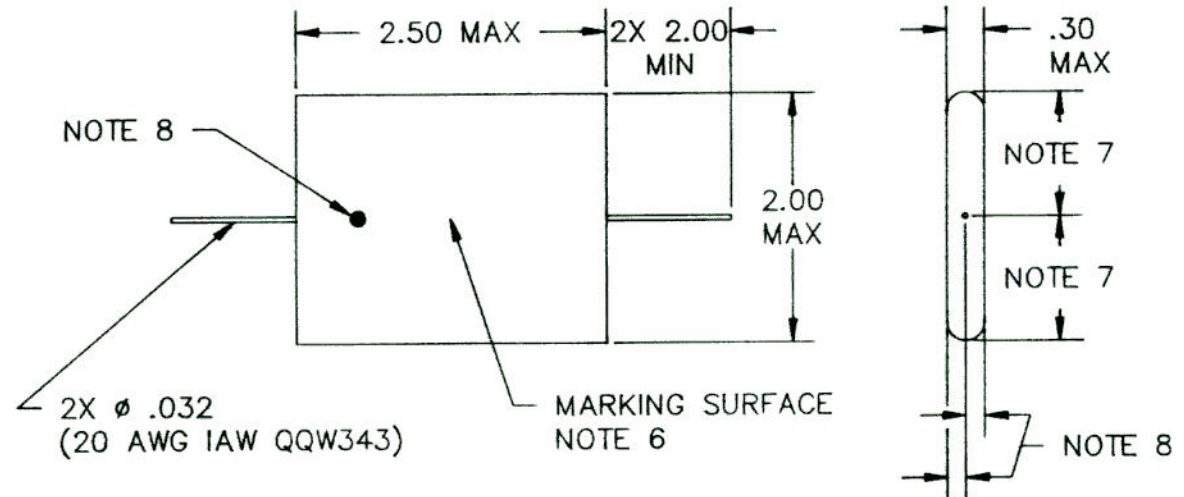
FEB 9 1996

DOCUMENT CONTROL

NOTES:

1. DISSIPATION FACTOR: .005 MAX @ 25° C, 1 KHZ.
2. CAPACITANCE: 180 nF-220 nF.
3. DIELECTRIC WITHSTANDING VOLTAGE: 3 kV RATED, 4.5 PROCESS FOR 2 HOURS @ 100° C AND 6 kV PROOF FOR 5 SECS.
4. GLASS TAPE OVERWRAP.
5. BLACK DOT INDICATES OUTER FOIL.
6. INK STAMP THE FOLLOWING WITH BLACK EPOXY INK:
G204A302A000
RI 7W970
200NF ±10%
3000WVDC
7. EQUALLY DISTANT WITHIN .50, BOTH ENDS,
8. EQUALLY DISTANT WITHIN .12, BOTH ENDS.

REVISIONS				
LETTER	NO	DESCRIPTION	DATE	APPRVD
-		INITIAL RELEASE. ER 614	0209 96	DAC



THIS IS A COMPUTER GENERATED DRAWING.
ALL CHANGES ARE MADE BY COMPUTER ONLY.

		UNLESS OTHERWISE SPECIFIED DIMENSIONS ARE IN INCHES	DRAWN D CADENA JR 01-24 96	REYNOLDS INDUSTRIES, INC. 3070 SKYWAY DR BLDG 301 SANTA MARIA, CA 93455	
		TOLERANCES DIMENSIONS ± ANGLES ± DECIMALS .XX± DECIMALS .XXX±	CHECK <i>N. B. Cook</i> 2/3/96	CAPACITOR, FIXED 200 nF ±10% 3000 WVDC	
		MATERIAL	APPR <i>D. J. P. G.</i> 2/5/96	SIZE CODE IDENT DRAWING NO REV B 7W970 G204A302A000 -	
		FINISH	THIS DOCUMENT, THE DRAWINGS AND TECHNICAL DATA CONTAINED HEREON ARE THE PROPERTY OF REYNOLDS INDUSTRIES INC. REPRODUCTION OR DISSEMINATION IN ANY FORM, EXCEPT AS EXPRESSLY AUTHORIZED BY THE OWNER, IS FORBIDDEN. THE HOLDER AGREES TO RETURN THIS DOCUMENT TO THE OWNER ON DEMAND.		
NEXT ASSEMBLY	USED ON		SCALE: 1 = 1		
APPLICATION					