

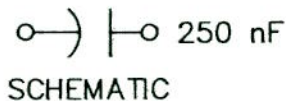
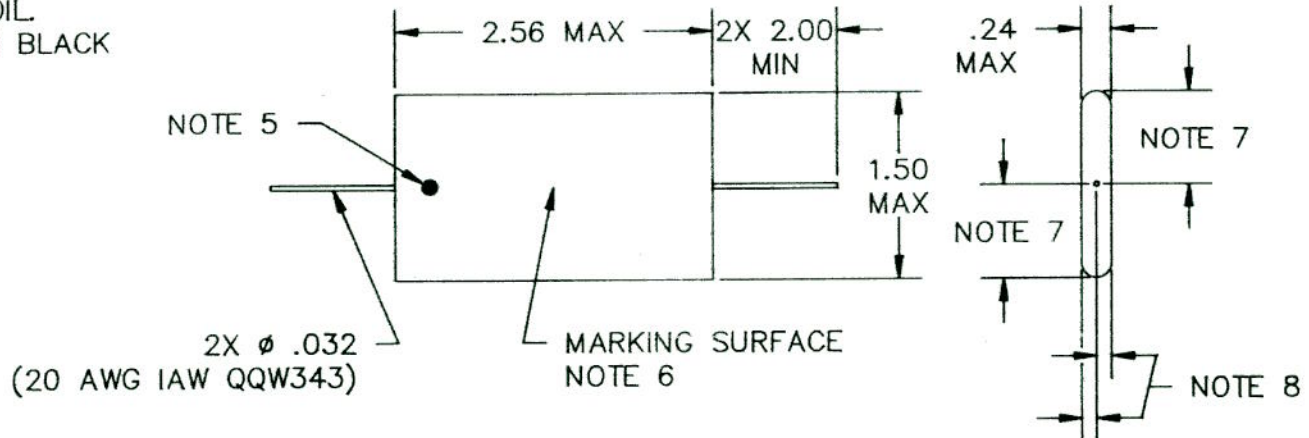
5

RECEIVED
JUN 18 1993
DOCUMENT CONTROL

NOTES:

1. DISSIPATION FACTOR: .005 MAX @ 25° C, 1 KHZ.
2. CAPACITANCE: 225 nF-275 nF.
3. DIELECTRIC WITHSTANDING VOLTAGE: 1 kV RATED, 1.5 kV PROCESS FOR 2 HOURS @ 100° C AND 2 kV PROOF FOR 5 SECS.
4. GLASS TAPE OVERWRAP.
5. BLACK DOT INDICATES OUTER FOIL.
6. INK STAMP THE FOLLOWING WITH BLACK EPOXY INK:
G254A102A000
DATE CODE RI 7W970
250NF ±10%
1000WVDC
7. EQUALLY DISTANT WITHIN .375, BOTH ENDS.
8. EQUALLY DISTANT WITHIN .096, BOTH ENDS.

REVISIONS				
LETTER	NO	DESCRIPTION	DATE	APPRVD
A		REVISED PER ECO 1169. ER 633	060898	DAC



THIS IS A COMPUTER GENERATED DRAWING.
ALL CHANGES ARE MADE BY COMPUTER ONLY.

		UNLESS OTHERWISE SPECIFIED DIMENSIONS ARE IN INCHES		DRAWN D CADENA JR 01-24 96	REYNOLDS INDUSTRIES, INC. 3070 SKYWAY DR BLDG 301 SANTA MARIA, CA 93455			
		TOLERANCES FRACTIONS ± ANGLES ± DECIMALS .XX± DECIMALS .XXX±		CHECK N ROCK 2/6 96	CAPACITOR, FIXED 250 nF ±10% 1000 WVDC			
		MATERIAL		APPR D P GRAVES 2/6 96	THIS DOCUMENT, THE DRAWINGS AND TECHNICAL DATA CONTAINED HEREON ARE THE PROPERTY OF REYNOLDS INDUSTRIES INC. REPRODUCTION OR DISSEMINATION IN ANY FORM, EXCEPT AS EXPRESSLY AUTHORIZED BY THE OWNER, IS FORBIDDEN. THE HOLDER AGREES TO RETURN THIS DOCUMENT TO THE OWNER ON DEMAND.			
		FINISH		APPR	SIZE B	CODE IDENT 7W970	DRAWING NO G254A102A000	REV A
NEXT ASSEMBLY	USED ON			SCALE: 1 = 1				
APPLICATION								