

RECEIVED

5

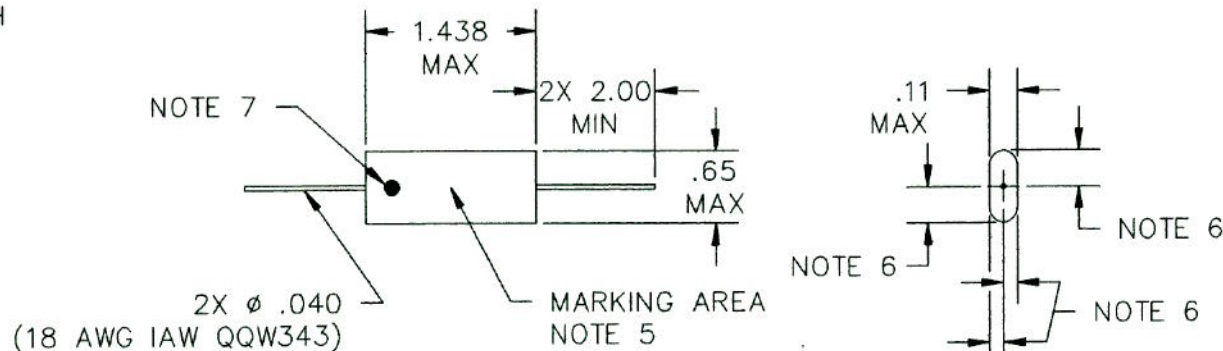
OCT 6 1999

DOCUMENT CONTROL

NOTES:

- DISSIPATION FACTOR: .005 MAX @ 25° C, 1 KHZ.
- CAPACITANCE: .9 nF-1.1 nF.
- DIELECTRIC WITHSTANDING VOLTAGE: 5 kV RATED, 7.5 kV PROCESS FOR 2 HOURS @ 100° C AND 10 kV PROOF FOR 5 SECS.
- MYLAR TAPE OVERWRAP.
- INK STAMP THE FOLLOWING WITH BLACK EPOXY INK:  
M102A502A001  
RI 7W970  
1NF ±10% 5000WVDC  
DATE CODE
- EQUALLY DISTANT WITHIN .125, BOTH ENDS.
- DOT INDICATES OUTER FOIL.

REVISIONS			
LETTER	DESCRIPTION	DATE	APPRVD
B	REVISED PER ECO 1269. ER 652	1006 9A	DAC



2X Ø .040  
(18 AWG IAW QQW343)



THIS IS A COMPUTER GENERATED DRAWING.  
ALL CHANGES ARE MADE BY COMPUTER ONLY.

		UNLESS OTHERWISE SPECIFIED DIMENSIONS ARE IN INCHES		DRAWN D CADENA JR 08-04 94		REYNOLDS INDUSTRIES, INC. 3070 SKYWAY DR BLDG 301 SANTA MARIA, CA 93455			
		TOLERANCES FRACTIONS ± ANGLES ± DECIMALS .XX± DECIMALS .XXX±.003		CHECK N ROCK 8/15 94					
		MATERIAL		APPR D P GRAVES 8/16 94		CAPACITOR, FIXED 1 nF ±10% 5000 WVDC			
		FINISH		APPR					
NEXT ASSEMBLY		USED ON		THIS DOCUMENT, THE DRAWINGS AND TECHNICAL DATA CONTAINED HEREON ARE THE PROPERTY OF REYNOLDS INDUSTRIES INC. REPRODUCTION OR DISSEMINATION IN ANY FORM, EXCEPT AS EXPRESSLY AUTHORIZED BY THE OWNER, IS FORBIDDEN. THE HOLDER AGREES TO RETURN THIS DOCUMENT TO THE OWNER ON DEMAND.		SIZE B	CODE IDENT 7W970	DRAWING NO M102A502A001	REV B
APPLICATION				SCALE: 1 = 1					