

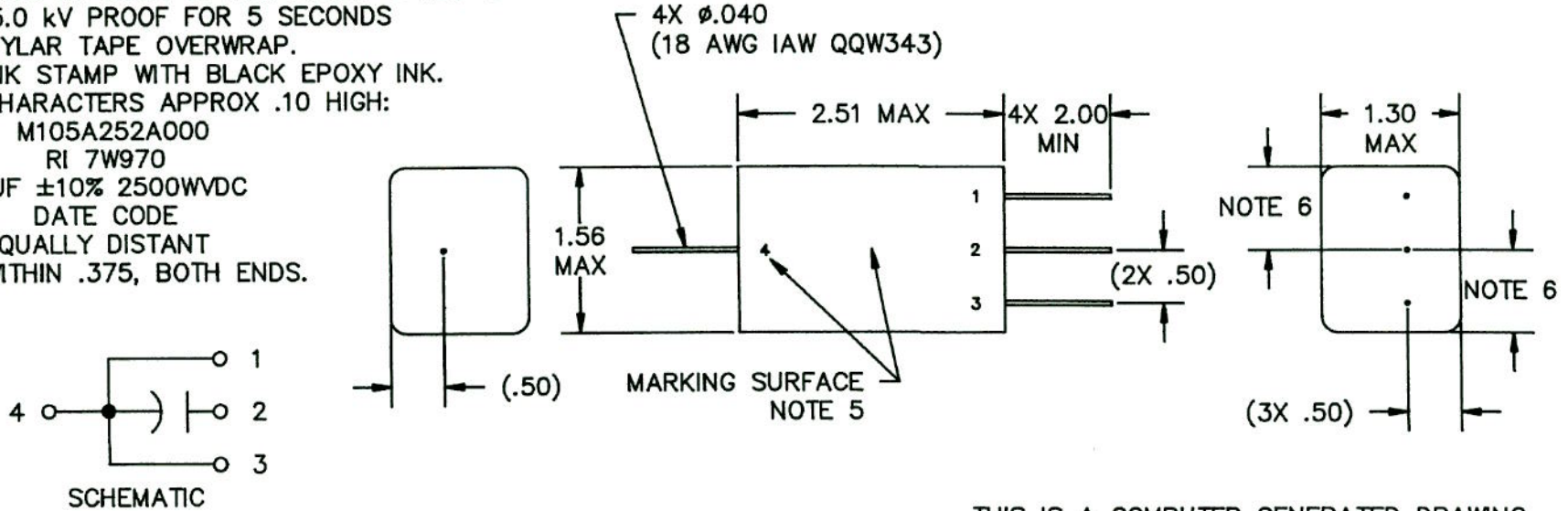
# 5

RECEIVED  
NOV 18 1998  
DOCUMENT CONTROL

**NOTES:**

1. DISSIPATION FACTOR: .005 MAX @ 25° C, 1 KHZ.
2. CAPACITANCE: .9 uF-1.1 uF.
3. DIELECTRIC WITHSTANDING VOLTAGE:  
2.5 kV RATED  
3.75 kV BURN-IN FOR 2 HRS @ 100° C  
5.0 kV PROOF FOR 5 SECONDS
4. MYLAR TAPE OVERWRAP.
5. INK STAMP WITH BLACK EPOXY INK.  
CHARACTERS APPROX .10 HIGH:  
M105A252A000  
RI 7W970  
1UF ±10% 2500WVDC  
DATE CODE
6. EQUALLY DISTANT  
WITHIN .375, BOTH ENDS.

REVISIONS		DATE	APPRVD
LETTER	NO		
-		1118 98	DAC
INITIAL RELEASE. ER 637			



THIS IS A COMPUTER GENERATED DRAWING.  
ALL CHANGES ARE MADE BY COMPUTER ONLY.

		UNLESS OTHERWISE SPECIFIED DIMENSIONS ARE IN INCHES	DRAWN N ROCK	10-13 98	REYNOLDS INDUSTRIES, INC. 3070 SKYWAY DR BLDG 301 SANTA MARIA, CA 93455	
		TOLERANCES FRACTIONS ± ANGLES ± DECIMALS .XX± DECIMALS .XXX±	CHECK DAC	1105 98	CAPACITOR, FIXED 1 uF ±10% 2500 WVDC	
		MATERIAL	APPR <i>A.R. Kouns</i>	11/3/98	SIZE CODE IDENT DRAWING NO REV B 7W970M105A252A000 -	
		FINISH	THIS DOCUMENT, THE DRAWINGS AND TECHNICAL DATA CONTAINED HEREON ARE THE PROPERTY OF REYNOLDS INDUSTRIES INC. REPRODUCTION OR DISSEMINATION IN ANY FORM, EXCEPT AS EXPRESSLY AUTHORIZED BY THE OWNER, IS FORBIDDEN. THE HOLDER AGREES TO RETURN THIS DOCUMENT TO THE OWNER ON DEMAND.		SCALE: 1 = 1	
NEXT ASSEMBLY	USED ON	APPLICATION				