

5

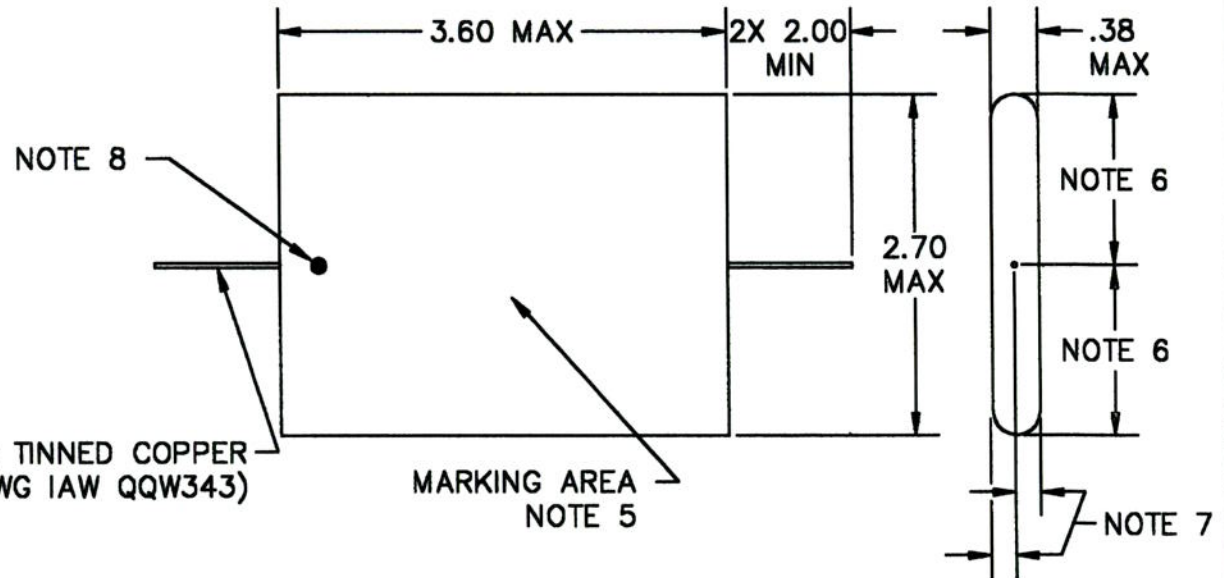
RECEIVED  
AUG 22 2002  
DOCUMENT CONTROL

NOTES:

- DISSIPATION FACTOR: .005 MAX @ 25° C, 1 KHZ.
- CAPACITANCE: .95 uF - 1.10 uF.
- DIELECTRIC WITHSTANDING VOLTAGE:  
2.50 kV RATED  
3.75 kV BURN-IN FOR 2 HRS @ 100° C  
5.00 kV PROOF FOR 5 SECONDS
- MYLAR WRAPPED, EPOXY ENDCAPPED.
- INK STAMP THE FOLLOWING WITH BLACK EPOXY INK:  
M105A252A001  
RI 7W970  
1UF -5%+10% 2500WVDC  
DATE CODE
- EQUALLY DISTANT WITHIN .675, BOTH ENDS,
- EQUALLY DISTANT WITHIN .152, BOTH ENDS.
- DOT INDICATES OUTSIDE FOIL.



2X  $\phi$ .040 TINNED COPPER  
(18 AWG IAW QQW343)



REVISIONS			
LETTER	DESCRIPTION	DATE	APPRVD
-	INITIAL RELEASE. ER 693	0822 02	DAC

THIS IS A COMPUTER GENERATED DRAWING.  
ALL CHANGES ARE MADE BY COMPUTER ONLY.

		UNLESS OTHERWISE SPECIFIED DIMENSIONS ARE IN INCHES		DRAWN N ROCK 08-24 02		REYNOLDS INDUSTRIES, INC. 3070 SKYWAY DR BLDG 301 SANTA MARIA, CA 93455	
		TOLERANCES FRACTIONS $\pm$ ANGLES $\pm$ DECIMALS .XX $\pm$ DECIMALS .XXX $\pm$ .003		CHECK DAC 0822 02		CAPACITOR, RECON MICA 1 uF -5%/+10% 2500 WVDC	
		MATERIAL		APPR R.N. Korman 8/9/02		DRAWING NO M105A252A001	
		FINISH		THIS DOCUMENT, THE DRAWINGS AND TECHNICAL DATA CONTAINED HEREON ARE THE PROPERTY OF REYNOLDS INDUSTRIES INC. REPRODUCTION OR DISSEMINATION IN ANY FORM, EXCEPT AS EXPRESSLY AUTHORIZED BY THE OWNER, IS FORBIDDEN. THE HOLDER AGREES TO RETURN THIS DOCUMENT TO THE OWNER ON DEMAND.		REV -	
NEXT ASSEMBLY		USED ON		SIZE B		CODE IDENT 7W970	
APPLICATION				SCALE: 1 = 1			