

5

RECEIVED

SEP 17 1993

DOCUMENTS CONTROL

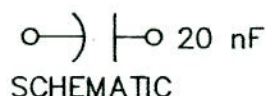
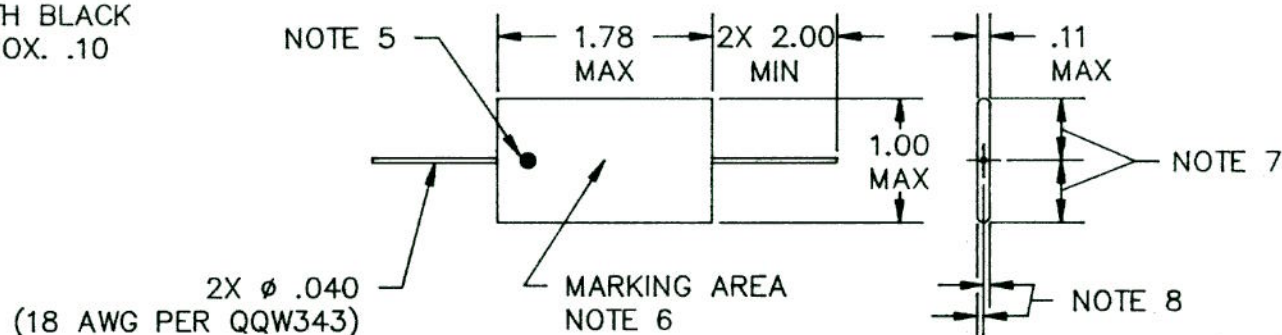
NOTES:

1. DISSIPATION FACTOR: .005 MAX @ 25° C, 1 KHZ.
2. CAPACITANCE: 18 nF-22 nF.
3. DIELECTRIC WITHSTANDING VOLTAGE: 3 kV RATED, 4.5 kV PROCESS FOR 2 HOURS @ 100° C AND 6 kV PROOF FOR 5 SECS.
4. MYLAR TAPE OVERWRAP.
5. DOT INDICATES OUTSIDE FOIL.
6. INK STAMP THE FOLLOWING WITH BLACK EPOXY INK. CHARACTERS APPROX. .10 HIGH:

M203A302A000
RI 7W970
20NF ±10% 3000WVDC
DATE CODE

7. EQUALLY DISTANT WITHIN .250, BOTH ENDS.
8. EQUALLY DISTANT WITHIN .040, BOTH ENDS.

REVISIONS				
LETTER	NO	DESCRIPTION	DATE	APPRVD
B		REVISED PER ECO 832 ER 581	09.17 93	DAC



THIS IS A COMPUTER GENERATED DRAWING.
ALL CHANGES ARE MADE BY COMPUTER ONLY.

		UNLESS OTHERWISE SPECIFIED DIMENSIONS ARE IN INCHES	DRAWN D CADENA JR 12-19 89	REYNOLDS INDUSTRIES, INC. 3070 SKYWAY DR BLDG 301 SANTA MARIA, CA 93455 CAPACITOR, FIXED 20 nF ±10% 3000 WVDC		
		TOLERANCES FRACTIONS ± ANGLES ± DECIMALS .XX± DECIMALS .XXX±	CHECK N ROCK 12-19 89			
		MATERIAL	APPR P A HARRISON 12-19 89			
		FINISH	APPR W DEERING 12-20 89			
NEXT ASSEMBLY	USED ON		THIS DOCUMENT, THE DRAWINGS AND TECHNICAL DATA CONTAINED HEREON ARE THE PROPERTY OF REYNOLDS INDUSTRIES INC. REPRODUCTION OR DISSEMINATION IN ANY FORM, EXCEPT AS EXPRESSLY AUTHORIZED BY THE OWNER, IS FORBIDDEN. THE HOLDER AGREES TO RETURN THIS DOCUMENT TO THE OWNER ON DEMAND.			
APPLICATION			SIZE B	CODE IDENT 7W970	DRAWING NO M203A302A000	REV B
			SCALE: 1 = 1			