

5

RECEIVED

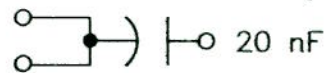
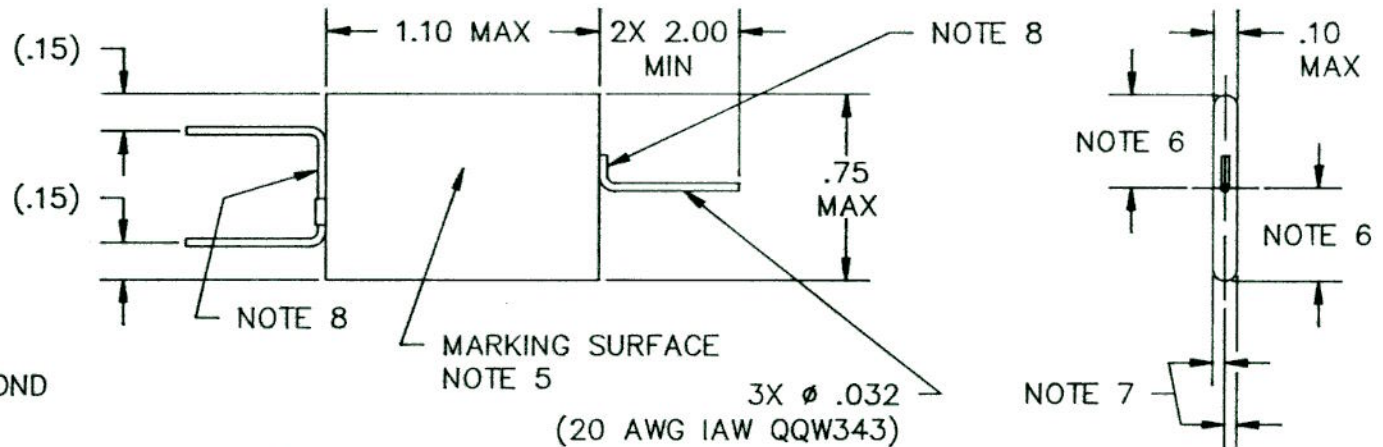
APR 24 1995

DOCUMENT CONTROL

NOTES:

1. DISSIPATION FACTOR: .005 MAX @ 25° C, 1 KHZ.
2. CAPACITANCE: 18 nF-22 nF.
3. DIELECTRIC WITHSTANDING VOLTAGE: 1.5 kV RATED, 2.25 kV PROCESS FOR 2 HOURS @ 100° C AND 3 kV PROOF FOR 5 SECS.
4. GRIT BLAST FINISH, NO TAPE OVERWRAP.
5. INK STAMP THE FOLLOWING WITH BLACK EPOXY INK:
 U203A152A000
 DATE CODE RI 7W970
 20NF ±10% 1.5KV
6. EQUALLY DISTANT WITHIN .188.
7. EQUALLY DISTANT WITHIN .040, BOTH ENDS.
8. SECURE LEADS WITH DELTABOND 152.

REVISIONS				
LETTER	NO	DESCRIPTION	DATE	APPRVD
-		INITIAL RELEASE ER 604	04 24 95	DAC



SCHEMATIC

THIS IS A COMPUTER GENERATED DRAWING.
 ALL CHANGES ARE MADE BY COMPUTER ONLY.

		UNLESS OTHERWISE SPECIFIED DIMENSIONS ARE IN INCHES	DRAWN D CADENA JR	03-22 95	REYNOLDS INDUSTRIES, INC. 3070 SKYWAY DR BLDG 301 SANTA MARIA, CA 93455	
		TOLERANCES FRACTIONS ± ANGLES ± DECIMALS .XX± DECIMALS .XXX±	CHECK <i>N Rock</i>	4/18/95	CAPACITOR, FIXED	
		MATERIAL	APPR <i>Dell</i>	4/18/95	20 nF ±10%	
		FINISH	THIS DOCUMENT, THE DRAWINGS AND TECHNICAL DATA CONTAINED HEREON ARE THE PROPERTY OF REYNOLDS INDUSTRIES INC. REPRODUCTION OR DISSEMINATION IN ANY FORM, EXCEPT AS EXPRESSLY AUTHORIZED BY THE OWNER, IS FORBIDDEN. THE HOLDER AGREES TO RETURN THIS DOCUMENT TO THE OWNER ON DEMAND.		SIZE B	CODE IDENT 7W970
NEXT ASSEMBLY	USED ON		DRAWING NO U203A152A000		REV -	
APPLICATION			SCALE: 2 = 1			