

5

RECEIVED

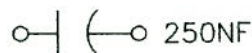
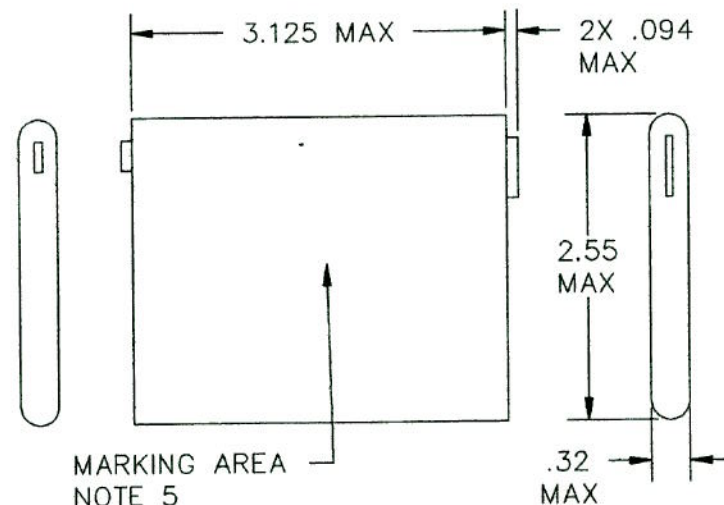
JUN 7 1999

DOCUMENT CONTROL

NOTES:

- DISSIPATION FACTOR: .005 MAX @ 25° C, 1 KHZ.
- CAPACITANCE: 237.5 NF-262.5 NF.
- DIELECTRIC WITHSTANDING VOLTAGE: 4 KV WORKING, 6 KV PROCESS FOR 2 HOURS @ 100° C AND 8 KV PROOF FOR 5 SECS.
- GRIT BLAST FINISH, INTENDED FOR EMBEDMENT.
- INK STAMP THE FOLLOWING WITH BLACK EPOXY INK:
 90A0094-5
 U254B402A001
 RI 7W970
 250NF ±5% 4000WVDC
 DATE CODE
- FOR ELECTRICAL AND TESTING REQUIREMENTS SEE KELTEC DWG 90A0094.
- THIS DWG MEETS THE REQUIREMENTS OF KELTEC PART NUMBER 90A0094-5.
- REFLOW SOLDER ON TERMINALS AFTER GRIT BLASTING TO ENSURE BRIGHT FINISH.

REVISIONS			
LETTER	DESCRIPTION	DATE	APPRVD
B	REVISED PER ECO 1234. ER 044	0607 99	DAC



SCHEMATIC

THIS IS A COMPUTER GENERATED DRAWING.
ALL CHANGES ARE MADE BY COMPUTER ONLY.

		UNLESS OTHERWISE SPECIFIED DIMENSIONS ARE IN INCHES		DRAWN D CADENA JR 04-04 90		REYNOLDS INDUSTRIES, INC. 3070 SKYWAY DR BLDG 301 SANTA MARIA, CA 93455	
		TOLERANCES FRACTIONS ± ANGLES ± DECIMALS .XX± DECIMALS .XXX±		CHECK N ROCK 4/10 90		FIXED CAPACITOR 90A0094-5	
		MATERIAL		APPR P HARRISON 4/10 90			
		FINISH		APPR		THIS DOCUMENT, THE DRAWINGS AND TECHNICAL DATA CONTAINED HEREON ARE THE PROPERTY OF REYNOLDS INDUSTRIES INC. REPRODUCTION OR DISSEMINATION IN ANY FORM, EXCEPT AS EXPRESSLY AUTHORIZED BY THE OWNER, IS FORBIDDEN. THE HOLDER AGREES TO RETURN THIS DOCUMENT TO THE OWNER ON DEMAND.	
MWO 55729				SIZE B		CODE IDENT 7W970	
NEXT ASSEMBLY USED ON				DRAWING NO U254B402A001		REV B	
APPLICATION				SCALE: 1 = 1			