

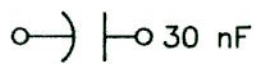
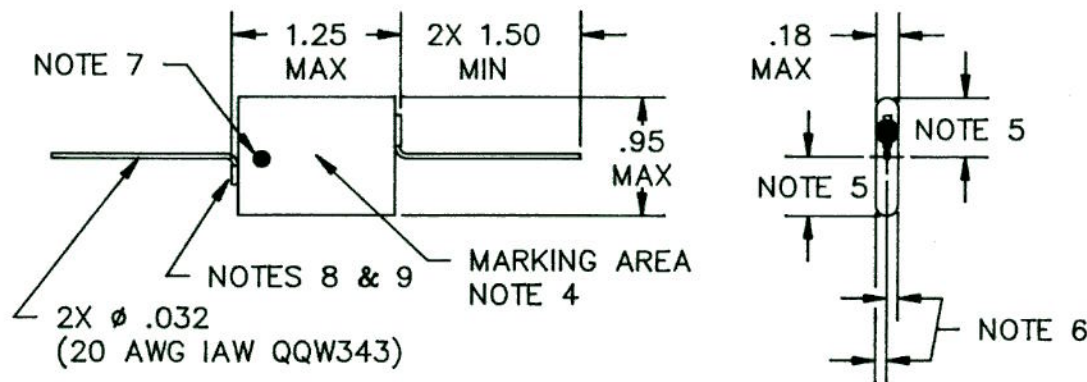
3

RECEIVED
AUG 26 1994
DOCUMENTS CONTROL

NOTES:

1. DISSIPATION FACTOR: .005 MAX @ 25° C, 1 KHZ.
2. CAPACITANCE: 27 nF-33 nF.
3. DIELECTRIC WITHSTANDING VOLTAGE: 2.5 kV RATED, 5 kV PROCESS FOR 96 ±4 HOURS @ 105 ±3° C AND 5 kV PROOF FOR 5 SECS.
4. INK STAMP THE FOLLOWING WITH BLACK EPOXY INK:
U303A252A000
RI 7W970
30NF ±10% 2500WVDC
DATE CODE
5. EQUALLY DISTANT WITHIN .238, BOTH ENDS.
6. EQUALLY DISTANT WITHIN .108, BOTH ENDS.
7. DOT INDICATES OUTSIDE FOIL.
8. SOLDERED WITH SN96 SOLDER.
9. SECURE WITH DELTA BOND 152.

REVISIONS				
LETTER	NO	DESCRIPTION	DATE	APPRVD
-		INITIAL RELEASE. ER 595	0826 94	DAC



30 nF

SCHEMATIC

THIS IS A COMPUTER GENERATED DRAWING.
ALL CHANGES ARE MADE BY COMPUTER ONLY.

		UNLESS OTHERWISE SPECIFIED DIMENSIONS ARE IN INCHES		DRAWN D CADENA JR.	08-19 94	REYNOLDS INDUSTRIES, INC. 3070 SKYWAY DR BLDG 301 SANTA MARIA, CA 93455	
		TOLERANCES FRACTIONS ± ANGLES ± DECIMALS .XX± DECIMALS .XXX± .003		CHECK <i>M. R. ...</i>	<i>Stacy</i>	CAPACITOR, FIXED 30 nF ±10% 2500 WVDC	
		MATERIAL		APPR <i>D. ...</i>	<i>Blakely</i>	SIZE B	
		FINISH		THIS DOCUMENT, THE DRAWINGS AND TECHNICAL DATA CONTAINED HEREON ARE THE PROPERTY OF REYNOLDS INDUSTRIES INC. REPRODUCTION OR DISSEMINATION IN ANY FORM, EXCEPT AS EXPRESSLY AUTHORIZED BY THE OWNER, IS FORBIDDEN. THE HOLDER AGREES TO RETURN THIS DOCUMENT TO THE OWNER ON DEMAND.		CODE IDENT 7W970	DRAWING NO U303A252A000
NEXT ASSEMBLY	USED ON					REV -	
APPLICATION				SCALE: 1 = 1			