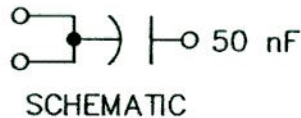


# 5

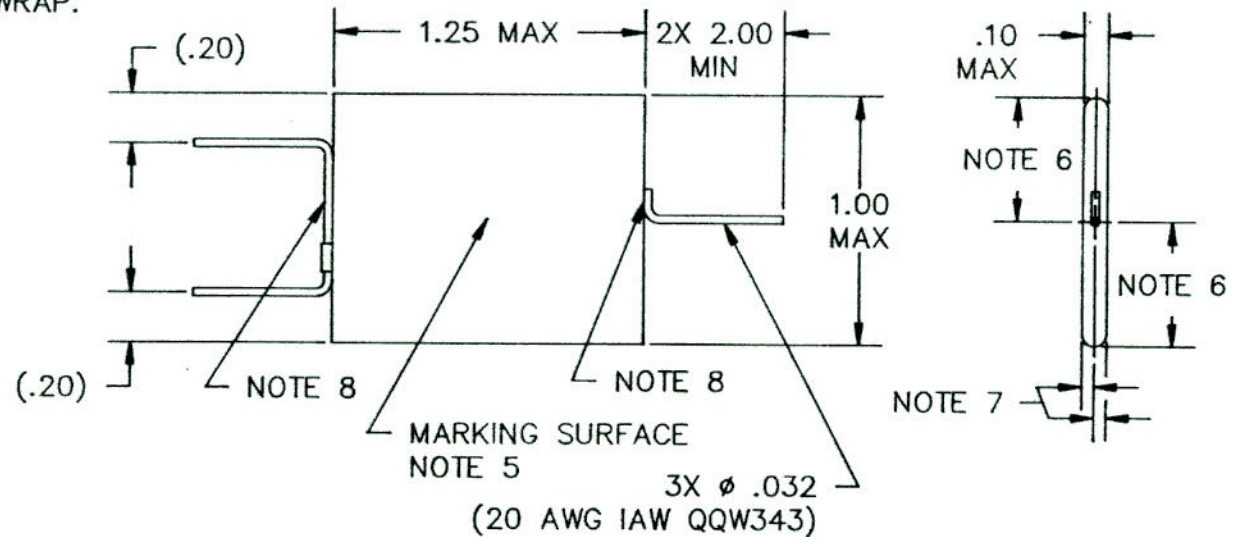
RECEIVED  
MAY 3 1995  
DOCUMENT CONTROL

**NOTES:**

- DISSIPATION FACTOR: .005 MAX @ 25° C, 1 KHZ.
- CAPACITANCE: 45 nF-55 nF.
- DIELECTRIC WITHSTANDING VOLTAGE: 1.5 kV RATED, 2.25 kV PROCESS FOR 2 HOURS @ 100° C AND 3 kV PROOF FOR 5 SECS.
- GRIT BLAST FINISH, NO TAPE OVERWRAP.
- INK STAMP THE FOLLOWING WITH BLACK EPOXY INK:  
U503A152A000  
RI 7W970  
50NF ±10% 1500WVDC  
DATE CODE
- EQUALLY DISTANT WITHIN .25.
- EQUALLY DIATANT WITHIN .04, BOTH ENDS.
- SECURE LEADS WITH DELTABOND 152.



REVISIONS				
LETTER	NO	DESCRIPTION	DATE	APPRVD
-		INITIAL RELEASE. ER 605	0503	DAC



THIS IS A COMPUTER GENERATED DRAWING.  
ALL CHANGES ARE MADE BY COMPUTER ONLY.

		UNLESS OTHERWISE SPECIFIED DIMENSIONS ARE IN INCHES	DRAWN D CADENA JR	03-22 95	REYNOLDS INDUSTRIES, INC. 3070 SKYWAY DR BLDG 301 SANTA MARIA, CA 93455	
		TOLERANCES FRACTIONS ± ANGLES ± DECIMALS .XX± DECIMALS .XXX±	CHECK <i>M. Rock</i>	7/29/95	CAPACITOR, FIXED 50 nF ±10% 1500 WVDC	
		MATERIAL	APPR <i>D. H. G.</i>	7/13/95	SIZE CODE IDENT DRAWING NO REV B 7W970 U503A152A000 -	
		FINISH	THIS DOCUMENT, THE DRAWINGS AND TECHNICAL DATA CONTAINED HEREON ARE THE PROPERTY OF REYNOLDS INDUSTRIES INC. REPRODUCTION OR DISSEMINATION IN ANY FORM, EXCEPT AS EXPRESSLY AUTHORIZED BY THE OWNER, IS FORBIDDEN. THE HOLDER AGREES TO RETURN THIS DOCUMENT TO THE OWNER ON DEMAND.			SCALE: 2 = 1
NEXT ASSEMBLY	USED ON	APPLICATION				