

5

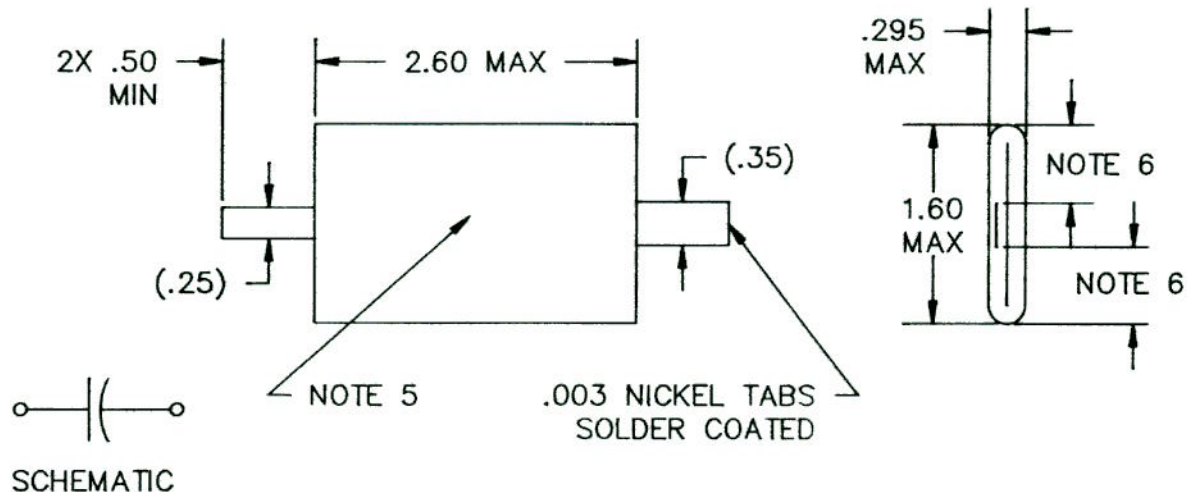
RECEIVED
APR 23 1997

DOCUMENT CONTROL

NOTES:

1. CAPACITANCE: 495 nF-605 nF.
2. DISSIPATION FACTOR: .005 MAX @ 25° C, 1 KHZ.
3. DIELECTRIC WITHSTANDING VOLTAGE:
1.5 kV RATED
2.25 kV BURN-IN FOR 2 HOURS @ 100° C
3.0 kV PROOF FOR 5 SECONDS
4. UNWRAPPED, GRIT BLAST FINISH.
5. INK STAMP THE FOLLOWING WITH BLACK EPOXY INK:
U554A152A000
RI 7W970
550NF ±10% 1500WVDC
DATE CODE
6. EQUALLY DISTANT WITHIN .084, BOTH ENDS.
7. WIDE TAB INDICATES OUTER FOIL.

REVISIONS				
LETTER	NO	DESCRIPTION	DATE	APPRVD
-	-	INITIAL RELEASE ER 626	0423 97	DAC



THIS IS A COMPUTER GENERATED DRAWING.
ALL CHANGES ARE MADE BY COMPUTER ONLY.

		UNLESS OTHERWISE SPECIFIED DIMENSIONS ARE IN INCHES	DRAWN N ROCK 12-10 96	REYNOLDS INDUSTRIES, INC. 3070 SKYWAY DR BLDG 301 SANTA MARIA, CA 93455		
			CHECK DAC 0402 97			
		TOLERANCES FRACTIONS ± ANGLES ± DECIMALS .XX± DECIMALS .XXX±	APPR R.R. Rouss 4/3/97	CAPACITOR, RECON MICA 550nF ±10% 1500 WVDC		
			APPR			
		MATERIAL	THIS DOCUMENT, THE DRAWINGS AND TECHNICAL DATA CONTAINED HEREON ARE THE PROPERTY OF REYNOLDS INDUSTRIES INC. REPRODUCTION OR DISSEMINATION IN ANY FORM, EXCEPT AS EXPRESSLY AUTHORIZED BY THE OWNER, IS FORBIDDEN. THE HOLDER AGREES TO RETURN THIS DOCUMENT TO THE OWNER ON DEMAND.			
		FINISH				
NEXT ASSEMBLY	USED ON					
APPLICATION						
			SIZE B	CODE IDENT 7W970	DRAWING NO U554A152A000	REV -
			SCALE: 1 = 1			