

RECEIVED

5

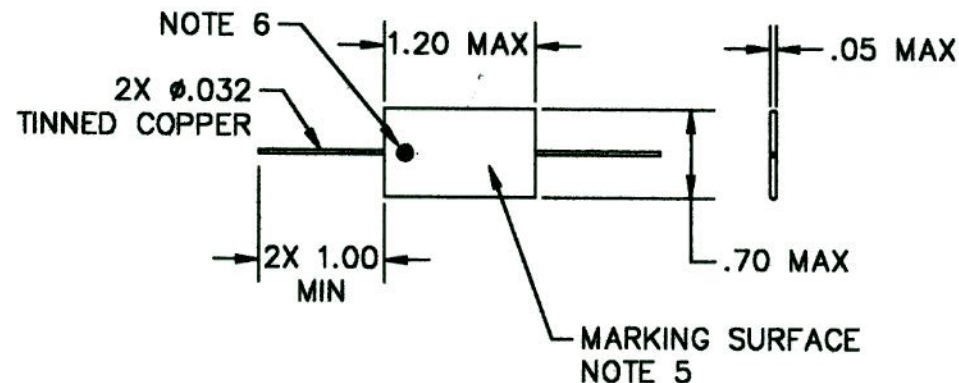
OCT 22 2002

DOCUMENT CONTROL

NOTES:

1. CAPACITANCE: 81 nF - 99 nF.
2. DISSIPATION FACTOR: .007 MAX @ 25° C, 1 KHZ.
3. DIELECTRIC WITHSTANDING VOLTAGE:
1.0 RATED
1.5 BURN-IN FOR 2 HRS @ 100° C
2.0 PROOF FOR 5 SECONDS
4. UNWRAPPED, EPOXY ENDCAPPED,
GRIT BLAST FINISH.
5. INK MARKING:
U901A102A000
RI 7W970
90PF ±10% 1000WVDC
DATE CODE
6. DOT INDICATES OUTER FOIL.

REVISIONS				
LETTER	NO	DESCRIPTION	DATE	APPRVD
-		INITIAL RELEASE. ER 696	1022 02	DAC



THIS IS A COMPUTER GENERATED DRAWING.
ALL CHANGES ARE MADE BY COMPUTER ONLY.

		UNLESS OTHERWISE SPECIFIED DIMENSIONS ARE IN INCHES		DRAWN N. ROCK 7-31 2002		REYNOLDS INDUSTRIES, INC. 3070 SKYWAY DR BLDG 301 SANTA MARIA, CA 93455	
		TOLERANCES FRACTIONS ± ANGLES ± DECIMALS .XX± DECIMALS .XXX±		CHECK DAC 1018 02		CAPACITOR, RECON MICA 90 pF ±10% 1000 WVDC	
		MATERIAL		APPR <i>N. Rock</i> 10/16/02		SIZE CODE IDENT DRAWING NO REV	
		FINISH		APPR		B 7W970 U901A102A000 -	
NEXT ASSEMBLY		USED ON		THIS DOCUMENT, THE DRAWINGS AND TECHNICAL DATA CONTAINED HEREON ARE THE PROPERTY OF REYNOLDS INDUSTRIES INC. REPRODUCTION OR DISSEMINATION IN ANY FORM, EXCEPT AS EXPRESSLY AUTHORIZED BY THE OWNER, IS FORBIDDEN. THE HOLDER AGREES TO RETURN THIS DOCUMENT TO THE OWNER ON DEMAND.			
APPLICATION				SCALE: 1 = 1			